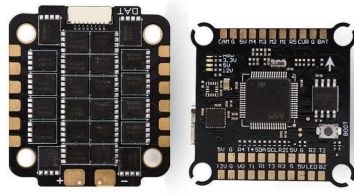




HGLRC F450 STACK

Manual



HGLRC SPECTER F450 STACK
instruction manual



产品参数

SPECTER F405 FC

MCU: STM32F405

GYRO: MPU6000

OSD: AT7456E

Blackbox: 16MB

UART: 5

BEC: 10V2A/5V2.5A

FC Firmware: SPEDIXF405

Size: 37mm*37mm*6mm

SPECTER 50A ESC

Constant Current:50A

Peak Current:60A (10s)

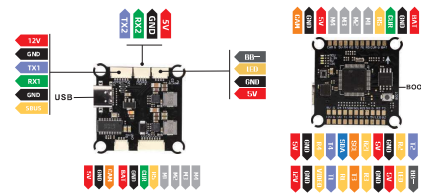
ESC Firmware:BL_S (F-H-40 16.7)

Size:40x40x6mm

HGLRC SPECTER F450 STACK
instruction manual



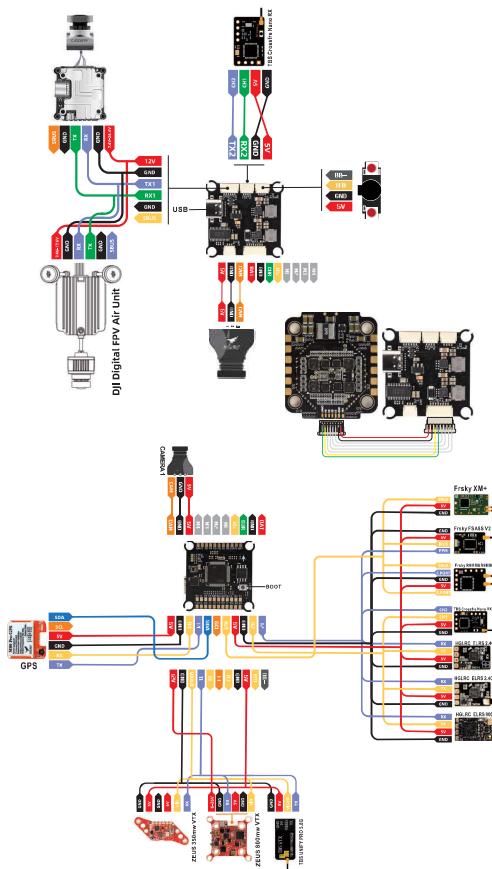
Interface definition



HGLRC SPECTER F450 STACK
instruction manual



Wiring diagram



HGLRC SPECTER F450 STACK
instruction manual



About after-sales

1. If the product cannot be used normally after receiving the product, please consult the after-sales customer service or return to the factory for repair in time. If it is detected that it is a product problem, our company will provide free repair or replacement.
2. If the product is damaged due to improper operation, after inspection, repair service can be provided if it can be repaired.
3. Domestic customers, please contact the after-sales service personnel.
4. For overseas customers, please contact the after-sales service personnel on the official website.

Contact us

Sincerely thanks for everyone trust! Welcome to choose HGLRC products



Company name: Guangdong Huiguotong Technology Co., Ltd.
After sales email: hglrc@support.com
Official website: www.hglrc.com