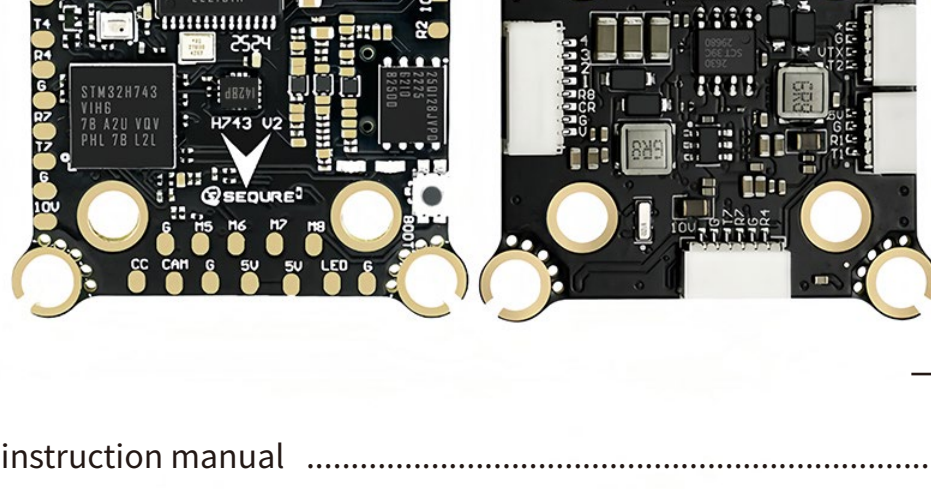


SEQUIRE H743 V2 Flight Control 飞控说明书

感谢您购买本产品!请您在使用前仔细阅读说明书,严格遵守规定的操作说明,使用者需具备一定电子基础和良好的焊接技术,错误的使用可能造成人身伤害和设备损坏。我们不承担因使用本产品或擅自对产品进行改造而引起的任何责任,包括但不限于对附带损失或间接损失的赔偿责任。

Thanks for buying this product! Please read the instructions carefully before use and strictly abide by the specified operating instructions. Users must have a certain electronic foundation and good welding skills. Wrong use may cause personal injury and equipment damage. We do not assume any liability arising from the use of this product or unauthorized modifications to the product, including but not limited to liability for incidental or indirect losses.



- 1. English instruction manual 01 - 03
- 2. 中文说明书 04 - 06



Note: Once this product is activated and affects secondary sales, it is not eligible for a 7-day return without reason

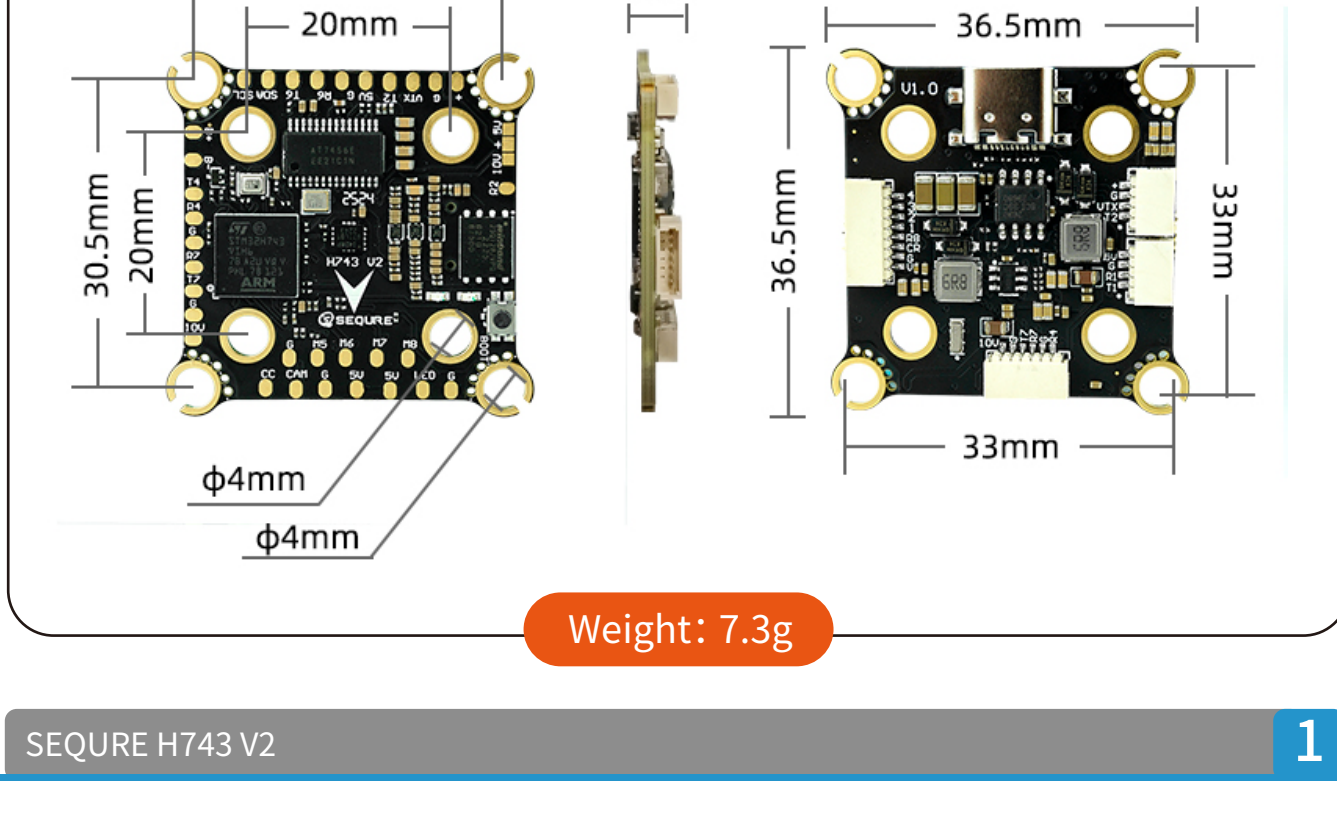
1 PRODUCT DESCRIPTION

- High-performance STM32H743 MCU, Operating frequency up to 480MHz, rapid control response.
- ICM-42688-P Gyro, Achieve precise posture sensing and stable control, improve system reliability.
- Onboard barometer, OSD, 16MB large-capacity black box, effectively record flight data.
- Reserve 6 UARTS to meet the needs of most devices.
- Controls up to 8 motors, easily constructing X8.
- Equipped with a plug-in connector and dual BEC outputs, it provides independent 10V voltage, allowing the DJI O3 and analog image transmission to plug in for use directly.
- Supports wide voltage input of 4-8S Lipo/LiHV, mounting holes of 20mm and 30.5mm.

2 PRODUCT PARAMETERS

Modle Name	SEQUIRE H743 V2	BEC Output	5V/2.5A, 10V/2A
MCU	STM32H743	UARTS	6
Gyro	ICM-42688-P	Control Motors	M1-M8
Barometer	BMP280/DPS310/DPS368	LED	Support WS2812 LED Strip
OSD Chip	AT7456E	Buzzer	Support
Black Box	16MB	ESC Telemetry	RX8
Firmware Type	Betaflight (default), INAV, ArduPilot	USB	Type-C
Firmware Name	SEQUIREH7V2	Mounting Hole	20x20mm, Φ4mm/30.5x30.5mm, Φ4mm
Input Voltage	4-8S Lipo/LiHV	Dimensions	36.5*36.5*6mm
		Weight	7.3g

3 SIZE AND WEIGHT

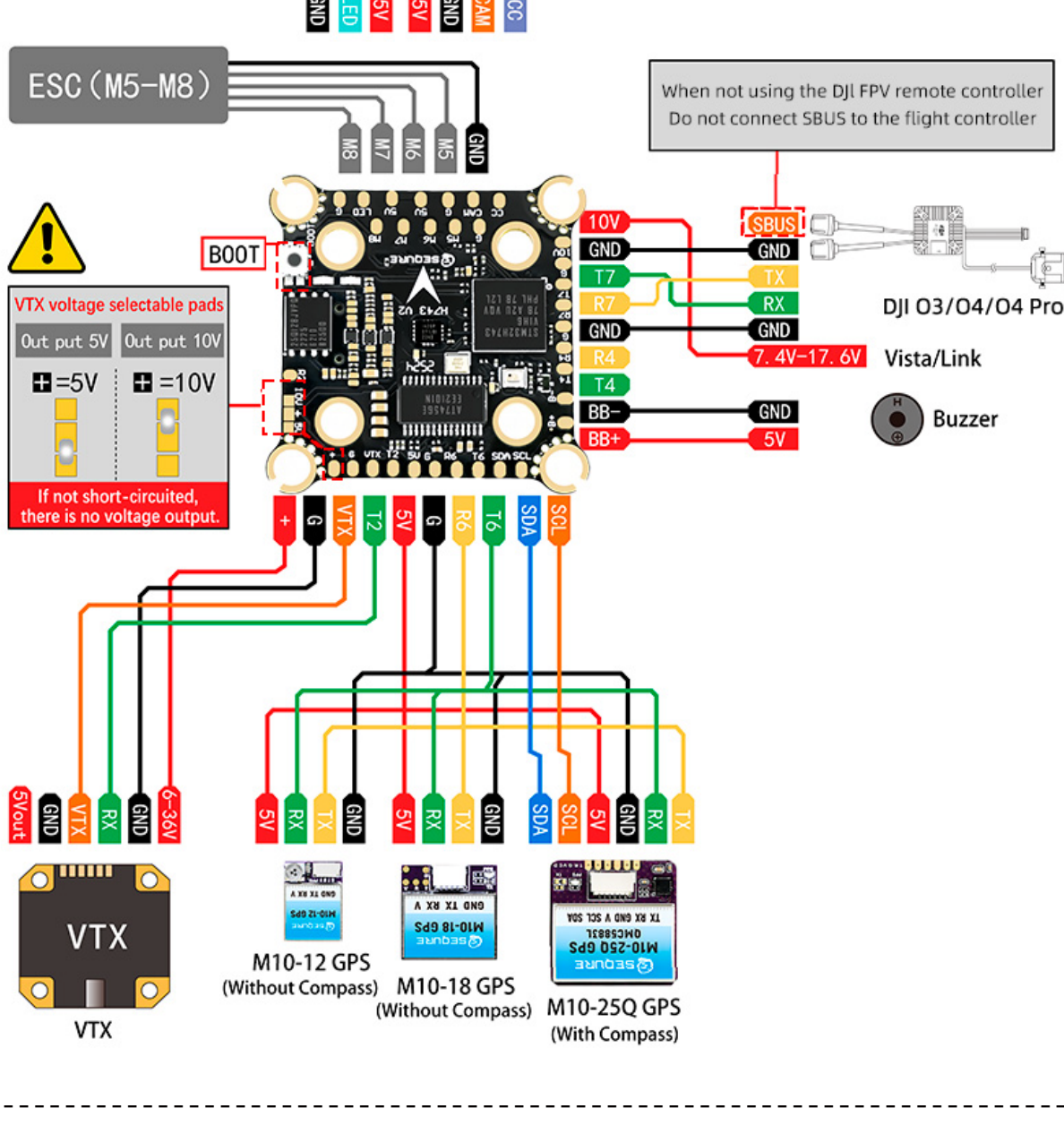


SEQUIRE H743 V2

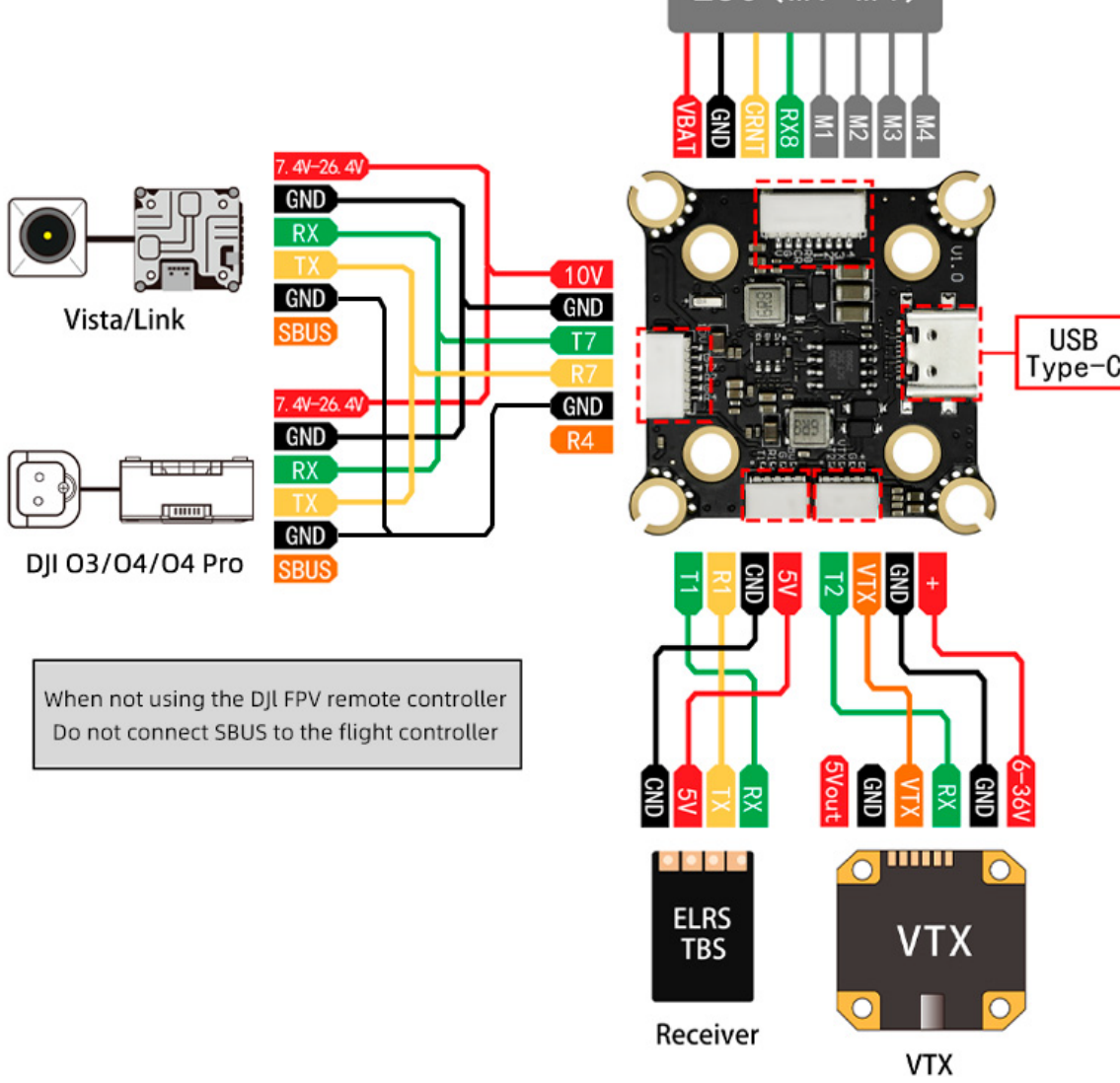
1

4 WIRING DIAGRAM

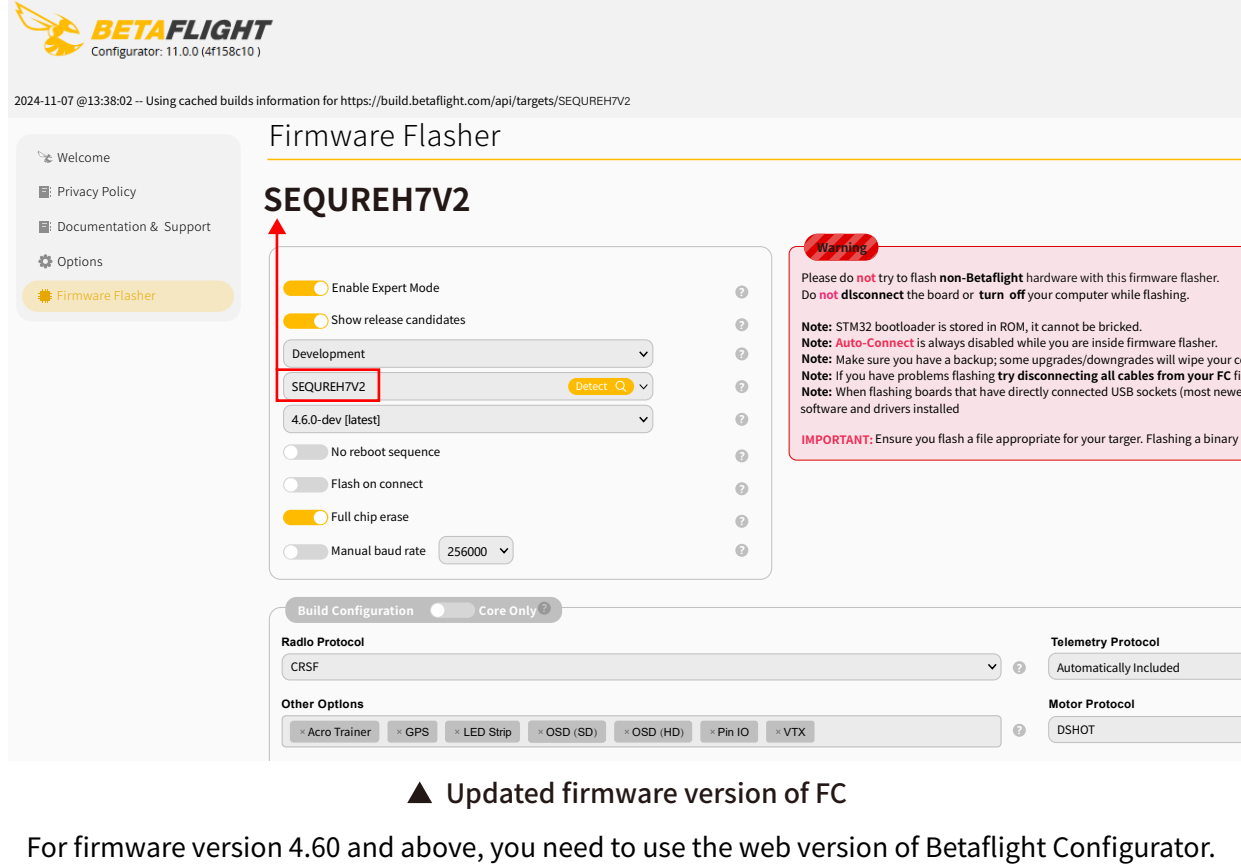
Pad Wiring Diagram



SH1.0 Socket Wiring Diagram



5 BETAFLIGHT



▲ Updated firmware version of FC
For firmware version 4.60 and above, you need to use the web version of Betaflight Configurator.
Website: <https://app.betaflight.com/>

SEQUIRE H743 V2

2

6 WARRANTY TERMS

1. For those performance faults caused by non-human factors within 3 months from the date of purchase, we provide repair & maintenance service for free. After 3 months, no labor fee will be charged for repairs. If you would like to replace parts, you must pay for the cost.
2. All man-made damage, faults caused by self disassembly & improper use, and all consumables like soldering tips are not covered by the warranty.

7 SAFETY PRECAUTIONS ⚠

- Please do not flash unofficial firmware to avoid damage to the ESC.
- Please do not use it beyond the ESC operating voltage and current range.
- Please check and make sure the positive and negative polarity are correct before powering on.
- Please use the product in compliance with local regulations and ensuring safety.
- Please use accessories that meet safety standards and store them out of reach of children.



www.sequiremall.com

info@sequiremall.com

SEQUIRE H743 V2

3