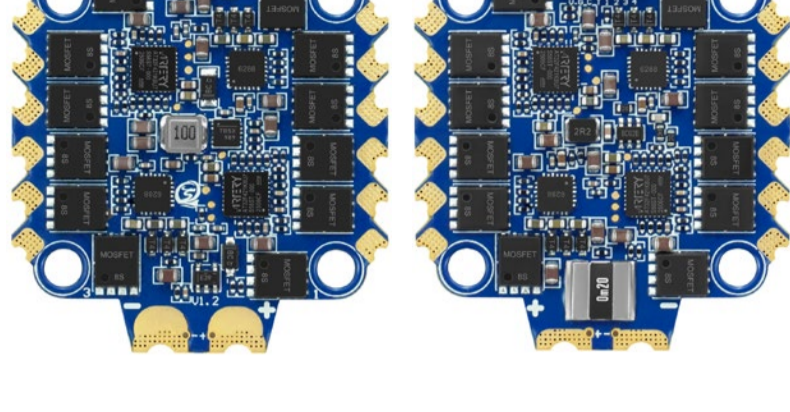


SEQUIRE Blueson A2

电调说明书

感谢您购买本产品!请您在使用前仔细阅读说明书,严格遵守规定的操作说明,使用者需具备一定电子基础和良好的焊接技术,错误的使用可能造成人身伤害和设备损坏。我们不承担因使用本产品或擅自对产品进行改造而引起的任何责任,包括但不限于对附带损失或间接损失的赔偿责任。

Thanks for buying this product! Please read the instructions carefully before use and strictly abide by the specified operating instructions. Users must have a certain electronic foundation and good welding skills. Wrong use may cause personal injury and equipment damage. We do not assume any liability arising from the use of this product or unauthorized modifications to the product, including but not limited to liability for incidental or indirect losses.



1. English instruction manual	01 - 03
2. 中文说明书	04 - 06



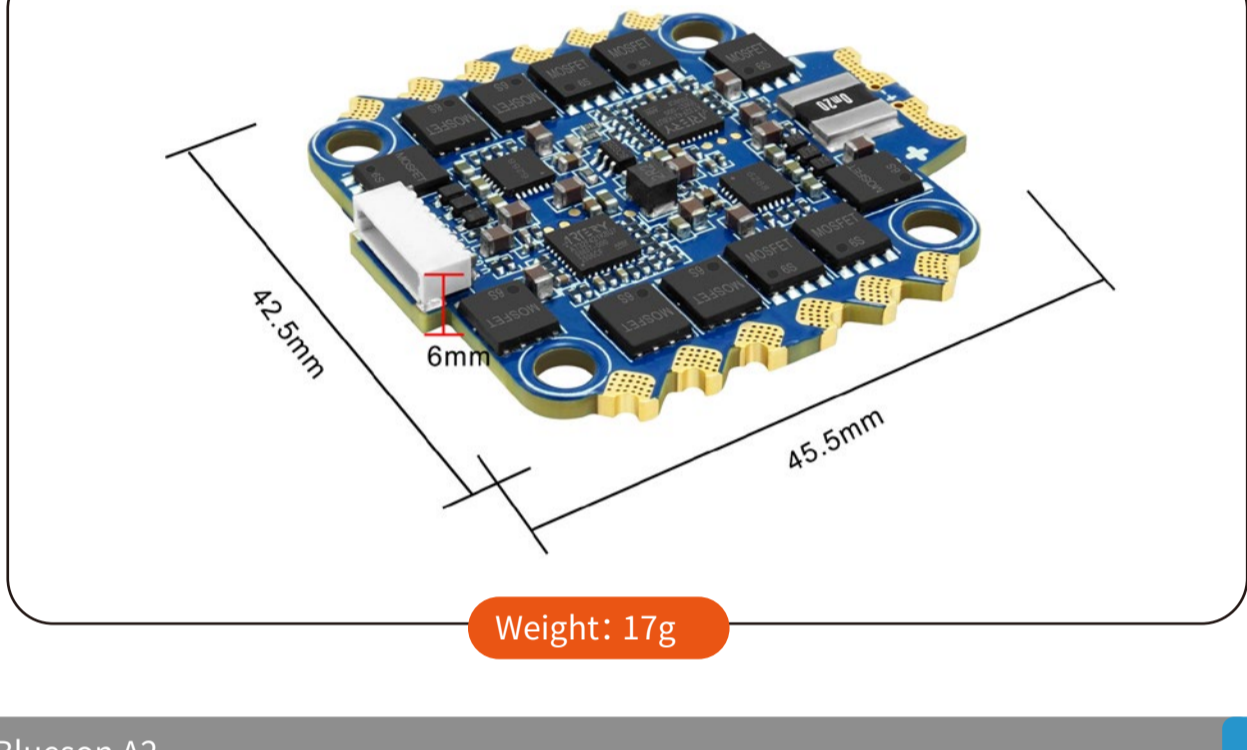
1 PRODUCT DESCRIPTION

- AT32F421 high-performance processor, using BLHeli_32 | AM32 firmware, 2-8S wide voltage input, single-channel continuous current 70A, peak current up to 150A.
- Built-in galvanometer, supports telemetry return, and updates motor speed, temperature, current and other data in real time.
- High-quality high-power MOSFET, ultra-high efficiency conversion, reducing losses and extending flight time.
- High copper thickness multi-layer PCB design increases over-current capability, efficient heat dissipation performance, and is not afraid of load pressure.
- Precise switch interval time control, speeding up the response speed of the ESC, smooth control, and delicate feel.
- PWM frequency supports 8KHz-128KHz, and excellent circuit design solves the problem of out-of-synchronization.
- Innovative design, oblique surface soldering pad, motor wiring layout is more beautiful and safe, while reducing welding difficulty.
- 30.5*30.5mm installation hole spacing design, compact structure, adaptable to various types of racks, no pressure during installation.

2 PRODUCT PARAMETERS

Model	Blueson A2	Firmware Version	AM32 or BLHeli_32
Processor	AT32F421	Telemetry Return	YES
PWM Frequency	8KHz-128KHz	Galvanometer	YES
Working Voltage	2-6S / 2-8S Lipo/LiHV	BEC	NO
Continuous Current	6S 65A / 8S 70A	Mounting Hole Spacing	30.5*30.5mm, Φ4mm/M3
Peak Current	6S 120A / 8S 150A	Product Size	45.5*42.5*6mm (L*W*h)
Support Protocol	Dshot600/300/150, Oneshot, Multishot, PWM	Product Weight	17g

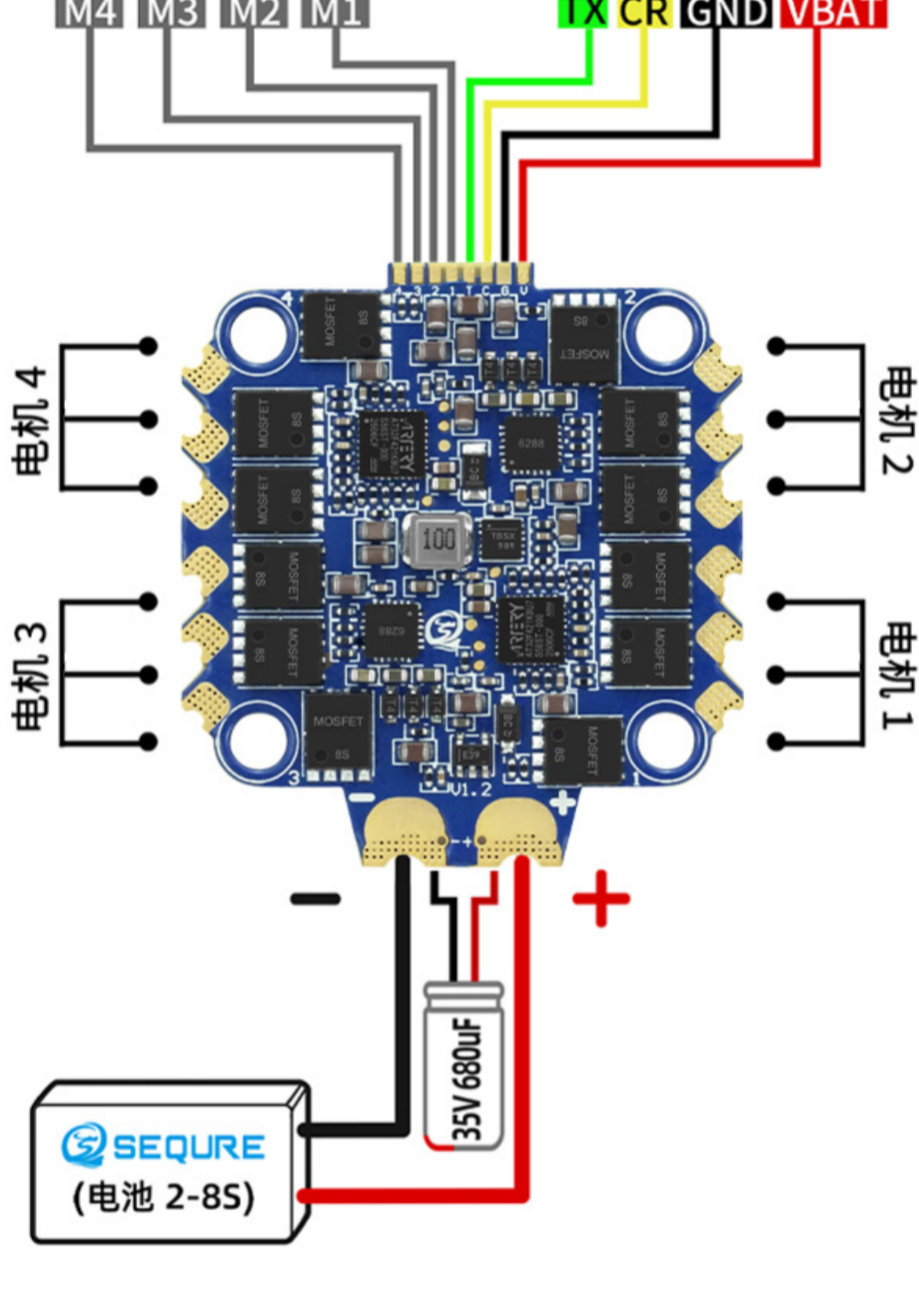
3 SIZE AND WEIGHT



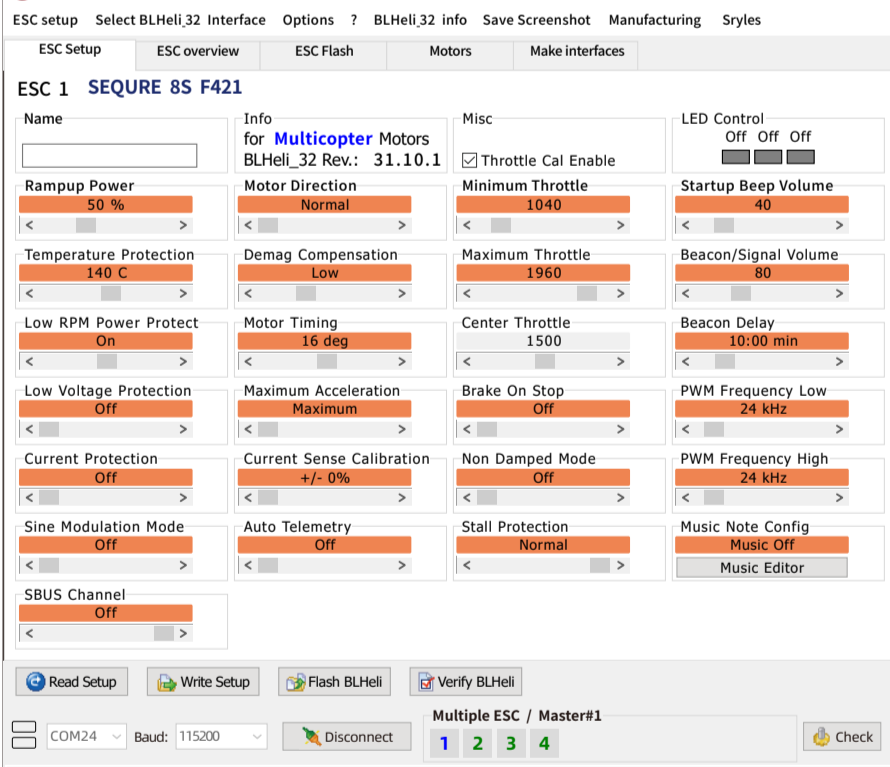
Blueson A2

1

4 WIRING DIAGRAM



5 ESC SETTING



BLHeli_32 firmware visual programming parameter adjustment interface

Blueson A2

2



AM32 firmware visual programming parameter adjustment interface
Website: am32.ca

6 WARRANTY TERMS

1. For those performance faults caused by non-human factors within 3 months from the date of purchase, we provide repair & maintenance service for free. After 3 months, no labor fee will be charged for repairs. If you would like to replace parts, you must pay for the cost.
2. All man-made damage, faults caused by self disassembly & improper use, and all consumables like soldering tips are not covered by the warranty.

7 SAFETY PRECAUTIONS ⚠️

- Please do not flash unofficial firmware to avoid damage to the ESC.
- Please do not use it beyond the ESC operating voltage and current range.
- Please check and make sure the positive and negative polarity are correct before powering on.
- Please use the product in compliance with local regulations and ensuring safety.
- Please use accessories that meet safety standards and store them out of reach of children.



www.sequiremall.com
info@sequiremall.com

Blueson A2

3