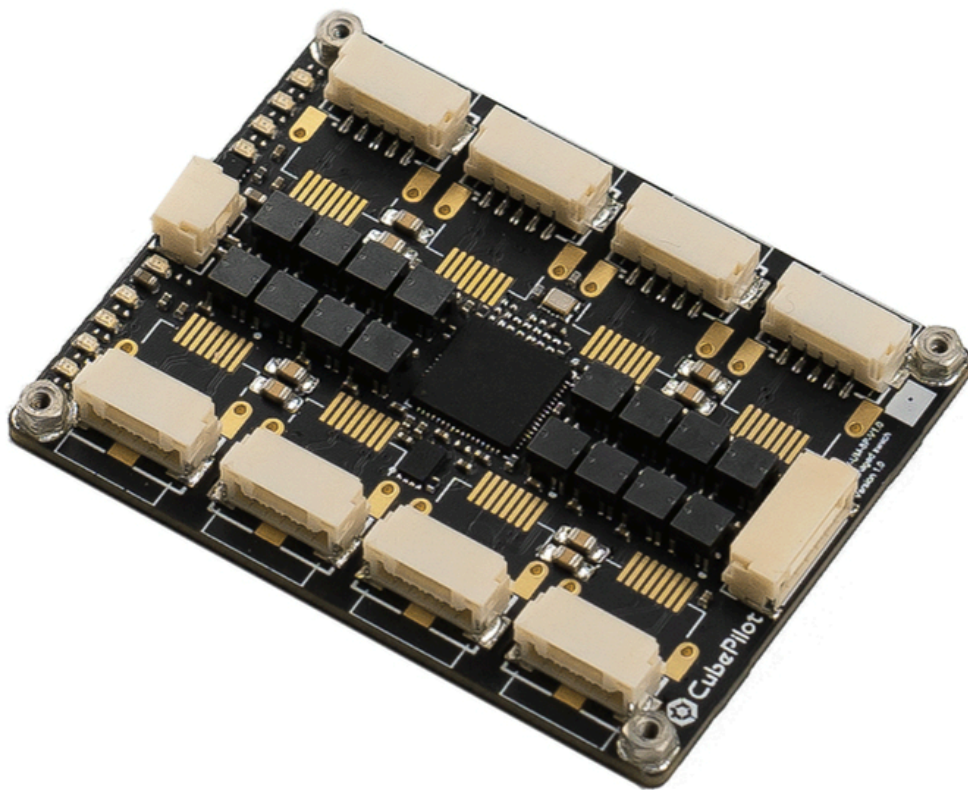


SWITCH

📄 Copy ▾ ☰

# CubeLAN 8 Port Switch

The CubeLAN 8-port switch is a miniature Ethernet switch that can connect up to eight Ethernet devices. It is compatible with the Cube Red and CubeNode. See below for its specifications.



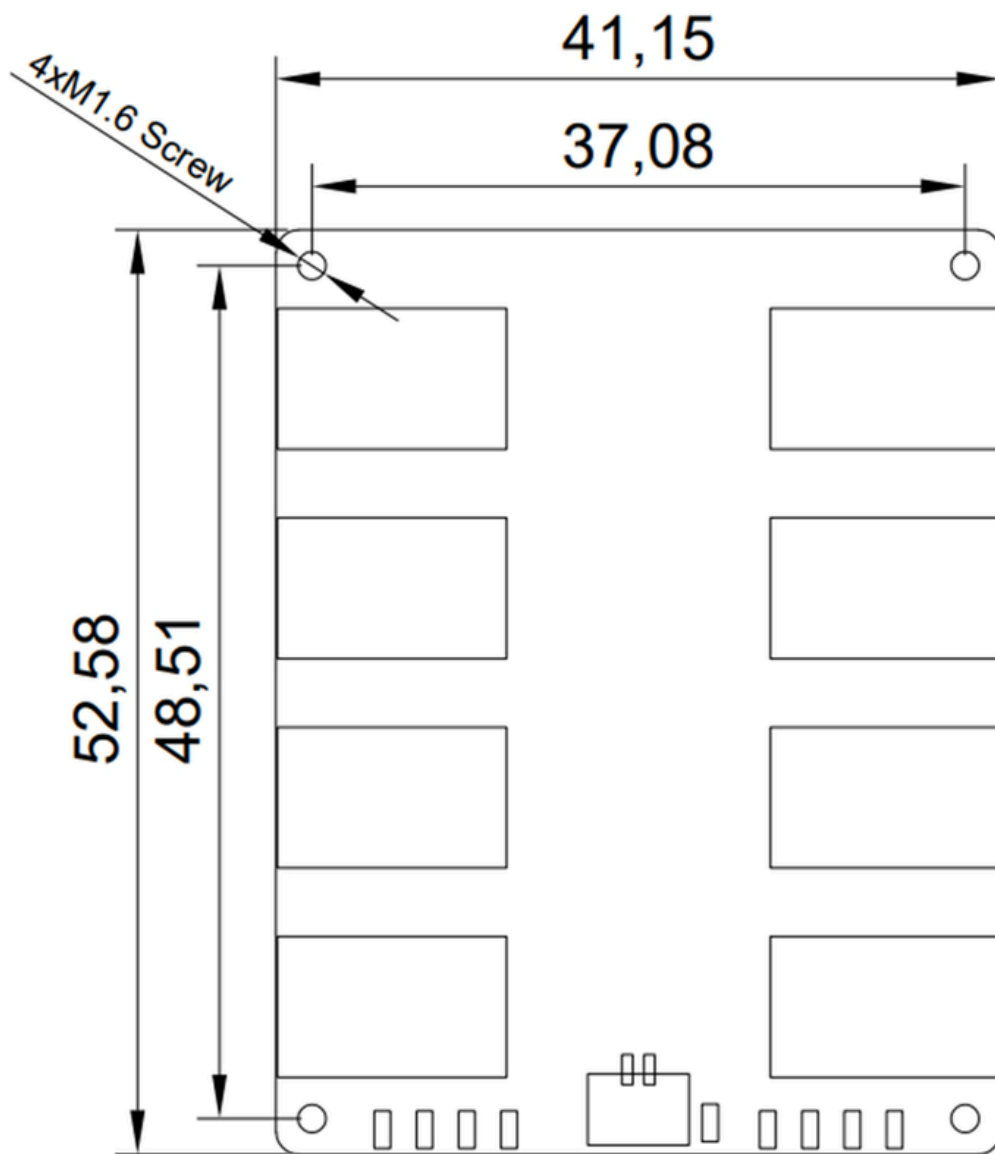
## Recommended Operating Conditions

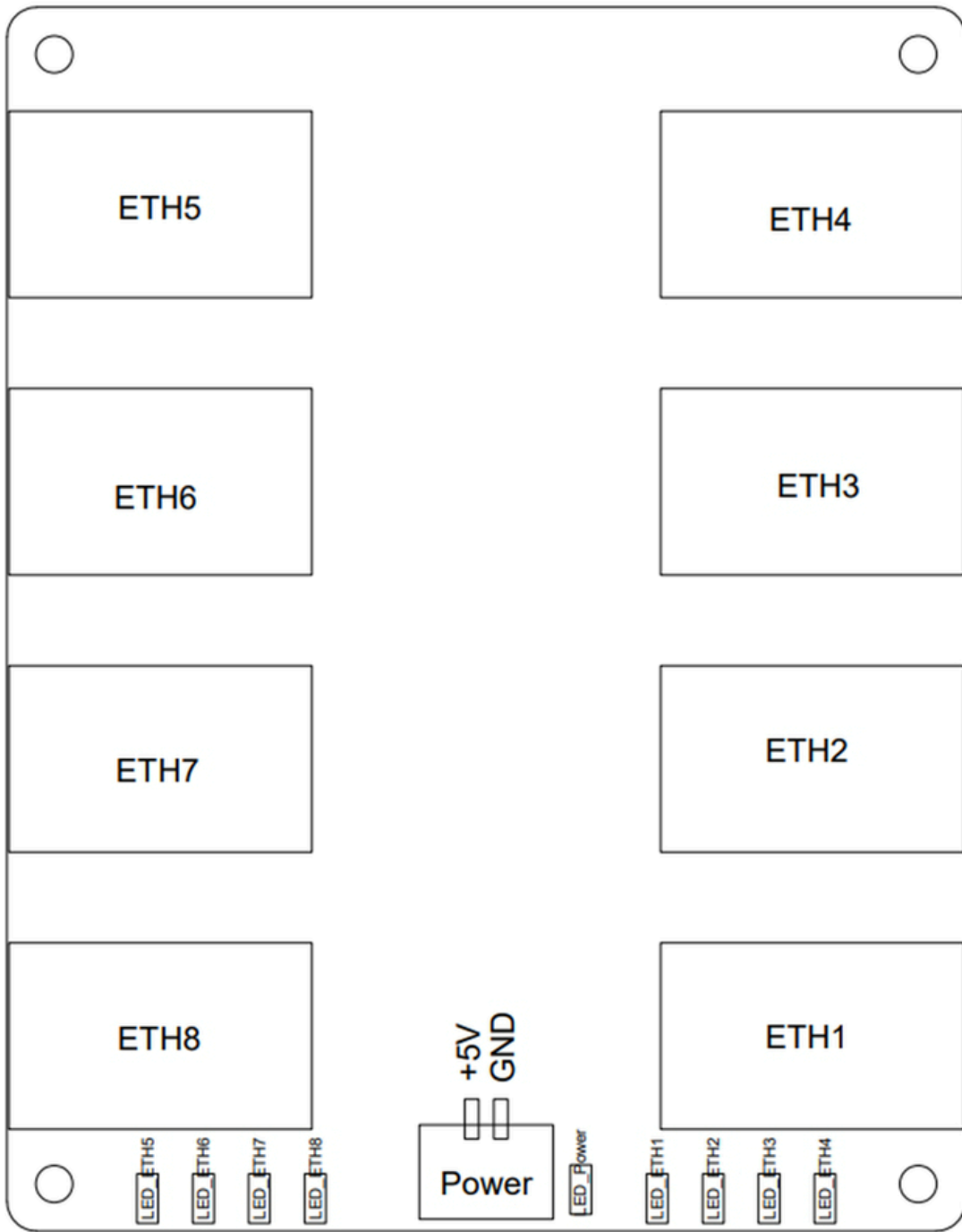
Parameter	Min	Max	Unit
Vin	4	5.5	V
Operating Ambient Temperature	0	70	°C

## Electrical Specifications

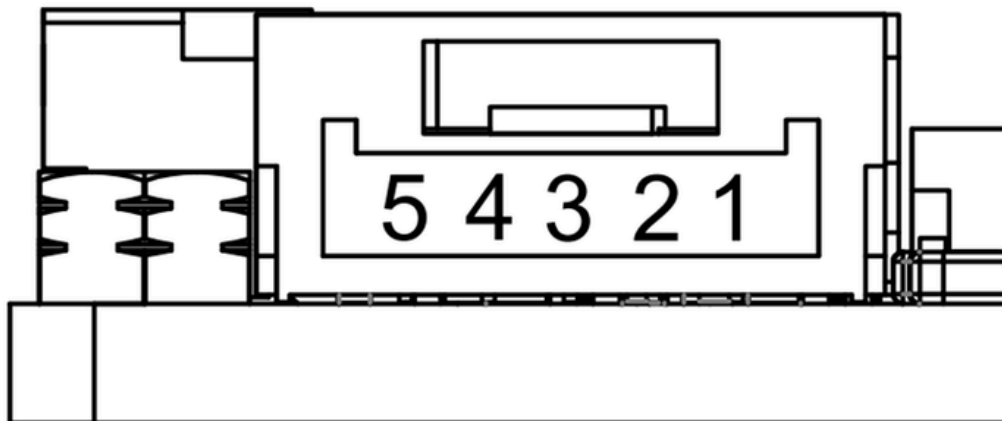
Dimensions	41.15 x 52.58 mm
Speed	10/100M
Connector Type (Power)	JST SM02B-GHS
Connector Type (Ethernet)	JST SM05B-GHS / TE Connectivity 2294415-1
Auto MDI-MDIX Function	Supported

# Mechanical Specifications

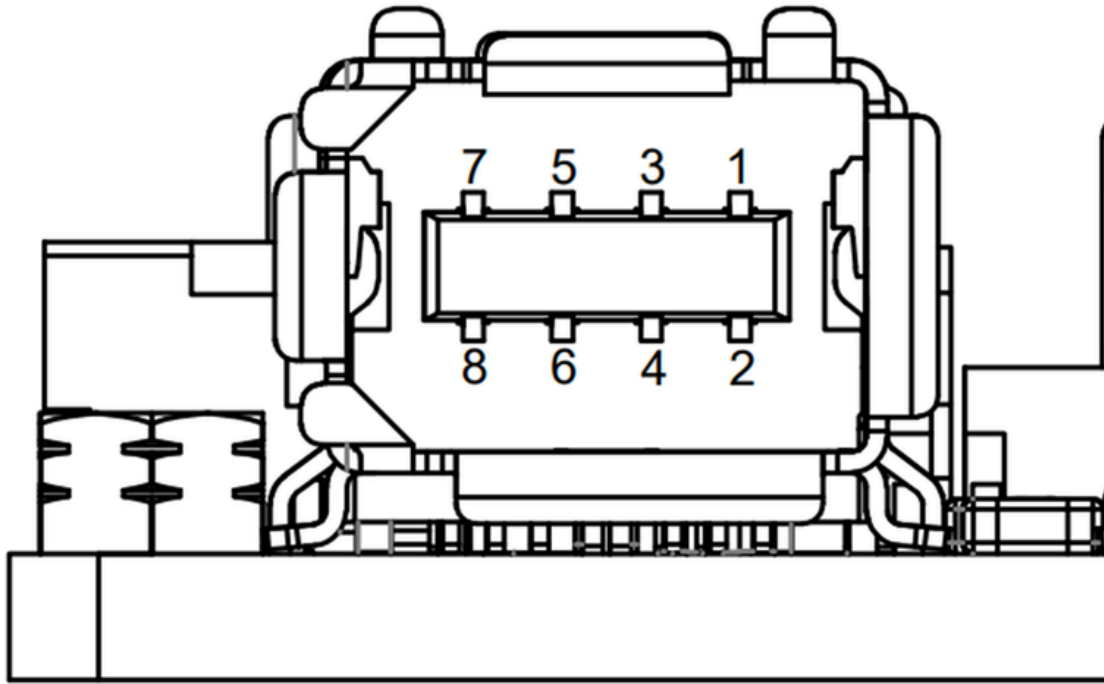




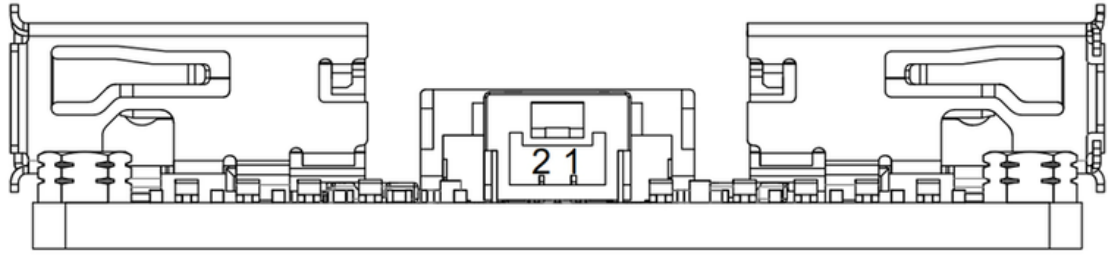
# Pinout Definition



Pin Number	Definition
1	Ethernet RX+
2	Ethernet RX-
3	Ground
4	Ethernet TX+
5	Ethernet TX-



Pin Number	Definition
1	Ethernet RX+
2	Ethernet RX-
3	Ethernet TX+
4	No connection (NC)
5	No connection (NC)
6	Ethernet TX-
7	No connection (NC)
8	No connection (NC)



Pin Number	Definition
1	Ground
2	+5V VCC input

Last updated 1 year ago

Was this helpful?

